

VogueWall™

Classic Post



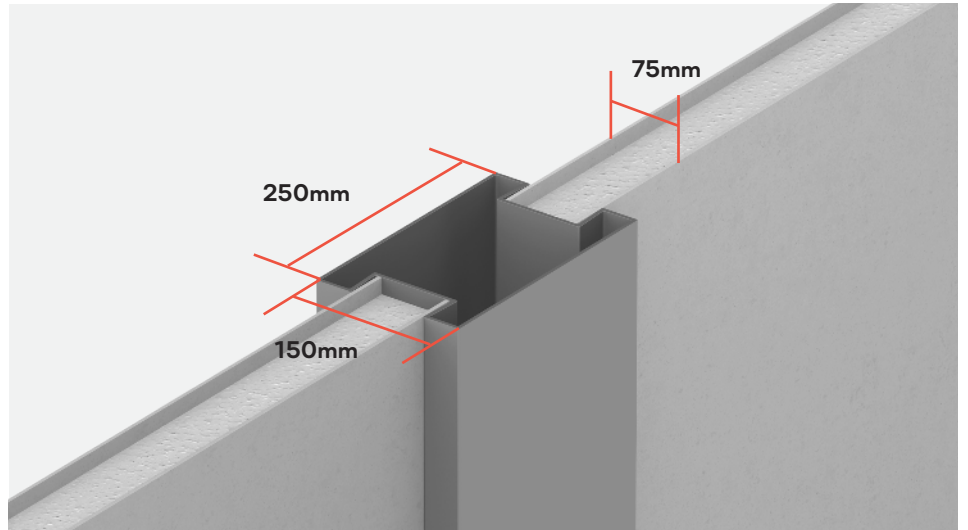
FEATURES

- Acoustically rated - ideal for noise reduction
- Excellent for mounting a letterbox into the post
- Add lighting and gates to your VogueWall for secure boundaries
- Add decorative slat infills if desired
- Can retain up to 750mm of soil (2.5kPa surcharge live loads) when used with the VogueWall Retaining Panel

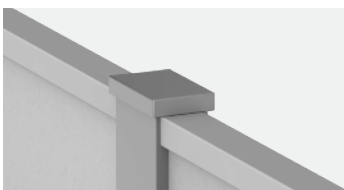
The VogueWall Classic is suited to any architectural style and because of its versatility is a very popular product.

Designed around a single brick width pier, VogueWall Classic is a decorative and appealing modular wall. VogueWall Classic is perfect as a boundary or front wall, and also ideal as a feature wall or privacy wall.

VogueWall Classic is acoustically rated for proven noise reduction and can be finished with custom letterboxes, lighting, gates and slat infills.



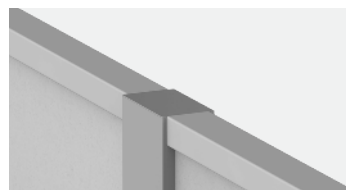
POST AND CAPPING OPTIONS



Standard post and standard (box) panel capping



Standard post and flush panel capping



Flush post and standard (box) panel capping



Flush post and flush panel capping



MODULAR WALLS

SPECIFICATION SHEET

VogueWall™

Classic Post

TECHNICAL SPECIFICATIONS

	Thickness	Post Type	Density	Rw	Fire Class†	Max Wall Height	Post Centres	Wind Regions
AcustiMax75	75mm	Steel	15.49kg/m ²	28	BAL29	3000mm	2600mm 3200mm	A, B & C
VogueWall Retaining Panel	75mm	Steel	15.90kg/m ²	28	BAL29	750mm Retaining (Surcharge live loads)	2600mm 3200mm	A, B & C

ANCILLARY OPTIONS

WALL FINISHING (Acrylic Paint)

The system will accept any self-priming acrylic paint (no additional primers needed). Each neighbour can finish their side to select their individual style and colour theme.



SLATS & INFILLS

Add a designer edge to any wall, with varying height slat or infill options.



LIGHTING

The wall panels have internal recesses to accept concealed cables for lighting or intercom style requirements.



PANEL, SLATTED OR CUSTOM GATES

Available in custom sizes that seamlessly match the style of your VogueWall.



LETTERBOXES

Incorporate most styles of letterboxes or utilise our own Stainless Steel faced modular box.

